

### Features

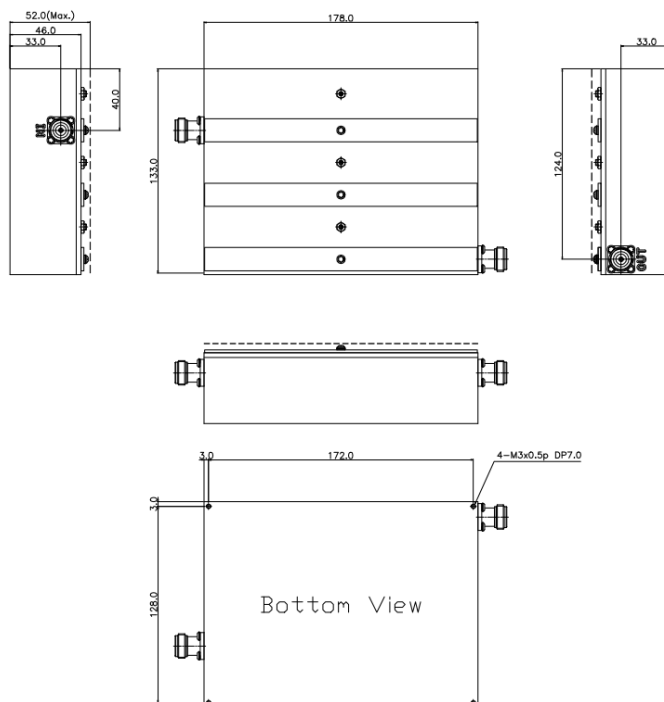
- LTE Band 13 uplink BAND STOP FILTER
- Typical 0.7 dB Insertion Loss
- Typical 63.0 dB Stop Band Attenuation



### Specifications

Parameter	Specifications	Remarks
Pass Band Frequency Range	Dc ~ 767 MHz, 797 ~ 2,700 MHz	
Insertion Loss (Max.)	2.0 dB @ Pass Band	
Stop Band Attenuation (Min.)	60 dB @ 777 ~ 787 MHz	LTE Band 13 UL
Return Loss (Min.)	12 dB @ Pass Band	
In/ Out Impedance	50 Ω	
Handling Power (Max.)	CW 10 W	
Dimensions	133.0 * 178.0 * 52.0 mm	Excluding Connectors
Connectors	N (F)	

### Outline drawing



Units : mm, Tolerance : +/- 0.2 mm

# Typical Response

